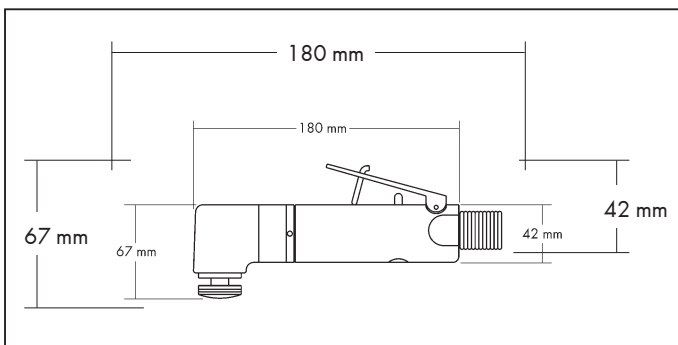


PNEUMATIC MULTI-CUTTER



Delivery scope		
Designation	Art. No.	P. Qty.
DMS 2 Pneumatic Multi-Cutter	0703 862 X	1
Mist Oiler	0709 861 055	
Exhaust-Air System	0709 861 035	
Open-Ended Wrench	0709 861 040	
Double-Headed Wrench	0709 861 041	

Attention: Order cutting blades separately!

Technical Data	
Model	DMS 2
Blade oscillations	0 - 20,000 rpm
Operating pressure	6.3 bar
Weight	1.1 kg
L x W x H	180 x 42 x 67 mm
Average air consumption	370 L/min
Connection thread	R 1/4"
Minimum hose dia.	8 mm

Accessories		
Designation	Art. No.	P. Qty.
Plug-in nipple with R 1/4" Male thread, nickel-plated steel	0699 100614	3
Special Oil for pneumatic tools (1 L)	0893 050 5	1

When used regularly, the machine should be lightly oiled via the compressed-air supply every day.

Powerful unit used for removing adhered car windows, for vehicle body cutting tasks and for grinding corners and edges.
Supplied in a case with a mist oiler and exhaust-air system.

DMS 2
Art. No. 0703 862 1

Versatile hexagonal mount

For the use of conventional knives and accessory articles.

Oscillating movement

Mechanical separation without the creation of harmful smoke.

Safety switch for continuous speed control

No switching on accidentally; continuously adjustable blade oscillation rate.

Exhaust-air system with exhaust-air hose

Directs the exhaust air away from the user and working area.

High-quality ball bearings

Promote a longer machine service life.

Warranty

2 Years Warranty on manufacturing and material defects. Excluded are damages caused by improper use, overloading or failure to observe the operating instructions. The current WÜRTH MASTER warranty conditions must be observed.

Accessories

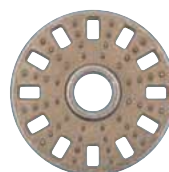


Vehicle Body Saw Blades, outside diameter 63 mm, 160 teeth
Art. No. 0696 631, P. Qty. 2

Vehicle Body Saw Blades, outside diameter 80 mm, 200 teeth
Art. No. 0696 681, P. Qty. 2



Three-Corner Adhesive Plate Velcro, 80 mm between corners, includes securing screw and plate spring
Art. No. 0586 703 860
P. Qty. 1



Adapter for three-corner adhesive plate Velcro
Art. No. 0696 500 3, P. Qty. 1



Velcro-Backed Dry Abrasive Paper, 80 mm corner to corner, pink
Art. No. 0572 75. ...
Grit: 40, 60, 80, 100, 120, 150, 180
P. Qty. 50

Additional articles:
U-Shaped Cutting Blade
Art. No. 0696 579